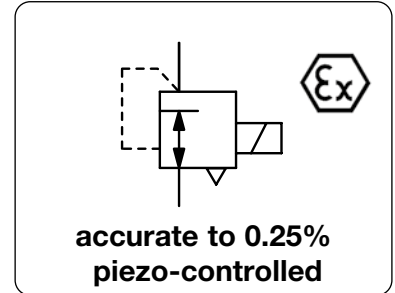


PROPORTIONAL PRESSURE REGULATOR WITH PIEZO ELEMENT AND ELECTRICAL FEEDBACK PT7

Description	The proportional valve translates a direct current or voltage signal into a linear proportional pneumatic outlet signal. With rapid response controls using low-powered piezo microelectronics, flapper nozzle and solid state control circuit. The proportional valve has internal electronic with an electrical feedback sensor and is housed in NEMA4X (IP65) enclosure with six outlet ranges, jumper selectable. Input and outlet ports on both ends of the body simplify pneumatic piping.	
Media	5 µm filtered compressed air or non-corrosive gases	
Supply voltage	7...30 V DC, 90 mW,	required for 0...10 V setpoint input only, with reverse voltage protection
Electrical connector	plug according to DIN 43650A, contact gap 18 mm, 3-pin, with coupling socket 30 x 30 mm	
Command signal	0...10 V / 10 kΩ, 3-pin, 24 V DC supply voltage,	4...20 mA / 330 Ω, two-wire, min. 7 V DC on input
Failsafe	exhaust at power breakdown	
Linearity	< 0.25% FS	
Hysteresis	< 0.1% FS at 0.2...0.5 bar, otherwise < 0.25% FS	
Adjustment	Zero point: by 0.3 bar	Range: 40% FS
Temperature range	-40 °C to 70 °C / -40 °F to 158 °F	
Material	Body: chromated aluminium	Nozzle: sapphire in nickel-plated brass plate
	Response sensitivity	< 0.2% FS
	Repeatability	< 0.1% FS
	Vibration sensitivity	< 1% FS, for 10 g and 15...500 Hz
	Mounting position	any
	Protection class	IP 65
	Elastomer:	NBR/Buna-N
	Inner valve:	stainless steel, brass, zinc-plated steel

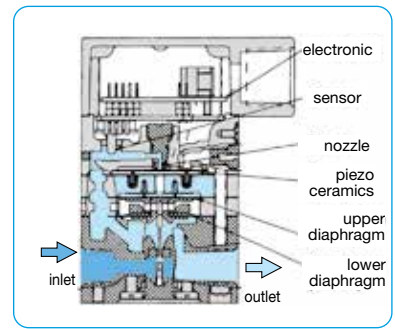


Dimensions			Flow rate	Supply pressure	Command signal	Pressure range	Order number
A	B	C	l/min*1	max. bar	V/mA	bar	
mm	mm	mm					

Proportional pressure regulator 0-10 V							¼" NPT, air consumption 2...8 l/min subject to pressure range	PT780
57	95	13	250	8	0-10 V	0.2...1	PT780-B100	
						0.2...2	PT780-B200	
57	133	13	300	10	0-10 V	0...2	PT780-0200	
						0...4	PT780-0400	
						0...8	PT780-0800	

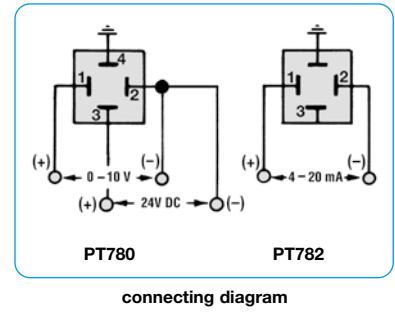
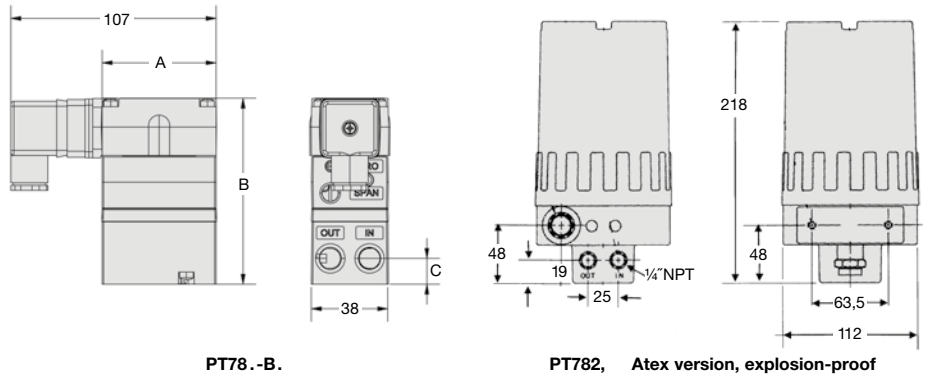
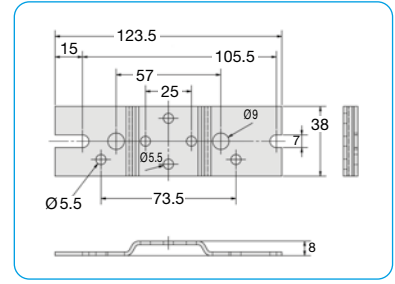


Proportional press. regulator 4-20 mA							¼" NPT, air consumption 2...8 l/min subject to pressure range	PT782
57	95	13	250	8	4-20 mA	0.2...1	PT782-B100	
						0.2...2	PT782-B200	
57	133	13	300	10	4-20 mA	0...2	PT782-0200	
						0...4	PT782-0400	
						0...8	PT782-0800	



Special options, change the appropriate number				
-i-Atex	Atex II 1G Ex ia IIB T4		4-20 mA only	PT782-...01
-d-Atex	Atex ds IIC T6	max. 2 bar	4-20 mA only	PT782-...0E

Accessories, enclosed				
mounting bracket	made of steel, for standard version			SA-PT1
	made of steel, for DIN rail			SA-PT2
mounting clip	made of steel, Atex version, explosion-proof			SA-PT3
isolate transmitter	Ex ia II C E/A: 0...20 mA, 24 V DC, EX 1-32			KFD2-CD



*1 at 7 bar supply pressure and 1.4 bar outlet pressure